

POWERMATIC[®]

The concealed door closer



SAMUEL HEATH
Made in England

POWERMATIC®

The concealed door closer

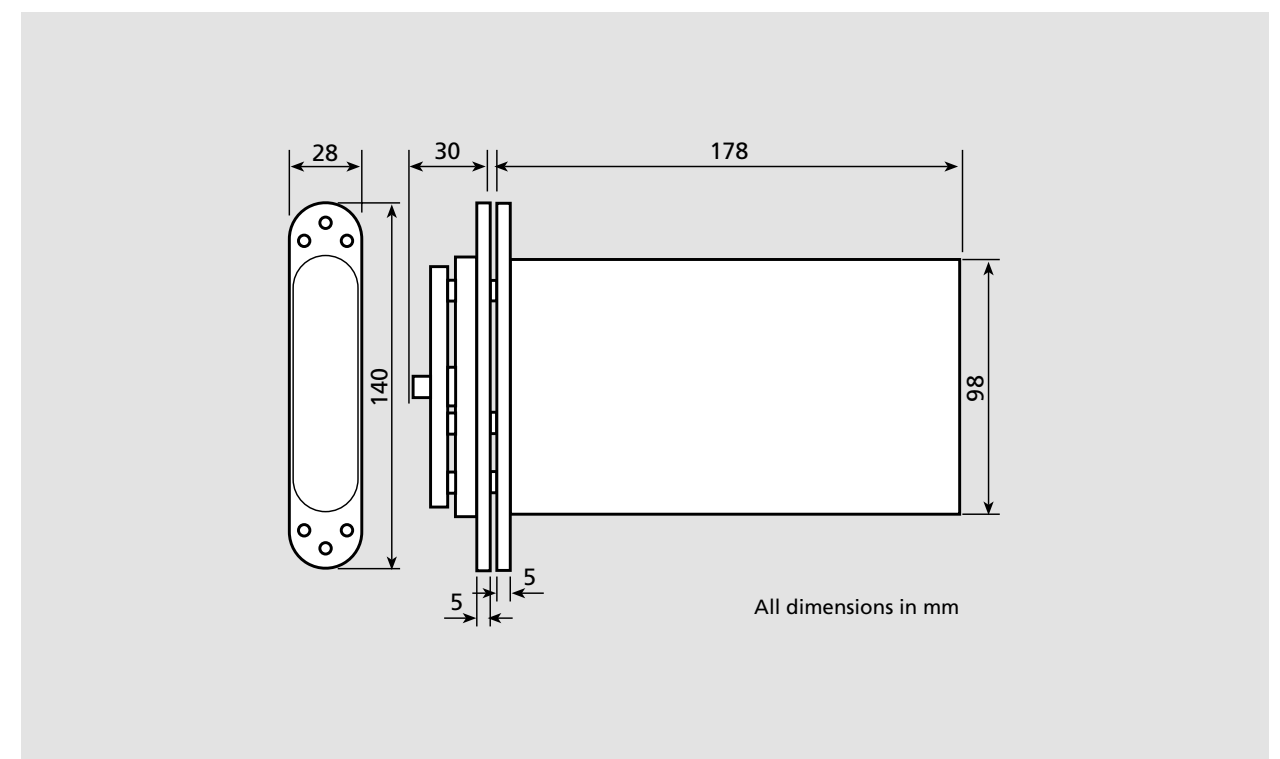
Samuel Heath has more than 50 years' experience in the design and manufacture of concealed door closers, firmly establishing us as the foremost authority in our field.

Powermatic controlled, concealed door closers represent the very best in jamb-mounted door closer technology, easily surpassing competing products and delivering a host of benefits that surface-mounted door closers simply cannot match.

Totally concealed when the door is closed, and particularly unobtrusive when the door is opened, Powermatic is the preferred choice of specifiers throughout the world when it comes to providing discreet closing.

Beyond enhanced aesthetics, this concealment delivers many other benefits in safety, reliability and reduced maintenance, making Powermatic suitable for a wide variety of applications in social housing, hotels, healthcare, education, commercial and heritage projects.

- The only CERTIFIRE jamb-mounted door closer
- Closing speed and latching action adjustable without removing closer from door
- Certified for use on one-hour and half-hour fire doors
- Contributes towards the achievement of accessibility requirements (AD M)
- Fully audited, independent third-party certification
- Improves aesthetics and reduces risk of damage from vandalism or tampering
- Perfect for social housing, hotels, health, care homes, secure accommodation, commercial and many other situations.
- Suitable for anti-ligature applications
- Completely concealed when the door is closed
- Factory production control to BS EN ISO 9001:2008
- Suitable for doors up to 80kg in weight and 950mm wide (BS EN 1154 size 3 test door 60kg)
- Suitable for latched and unlatched installations
- Can be used with electrically powered holdopen devices
- Endurance tested to 500,000 cycles
- Unique twin power mechanism
- 10-year guarantee
- Protected by worldwide patents
- On-site technical advice



Benefits



Fire performance

The most common application for door closers is on fire doors. An area where performance and reliability are essential, it is reassuring to know that Powermatic satisfies all relevant fire performance standards, including:

- CE marked
- Successfully type-tested to BS EN 1154: 1997 power size 3
- BS EN 1634-1 fire tested for one-hour and half-hour fire doors
- BS EN 1634-1 fire tested for four-hour steel fire doors
- BS 476 fire tested for one-hour and half-hour fire doors
- The only Certifire jamb-mounted door closer



Accessibility

Where door closers are concerned, opening forces for doors are stipulated by BS 8300: 2009 and the various regional Building Regulations. The door closer's ability to facilitate compliance with these standards is determined by its efficiency in operation.

Powermatic is the only jamb-mounted door closer to offer the operating efficiencies required to assure this.

Furthermore, Powermatic's opening forces have been independently certified as meeting the requirements of BS EN 1154.

- Ultra-efficient (exceeds threshold of 55% efficiency)
- Contributes towards achievement of BS 8300: 2009 and regional Building Regulations* unlike single spring door closers.

*Approved Document M (ADM) in England and Wales, Section 4 in Scotland and Part R in Northern Ireland. These regulations apply to the entire doorset in-situ and, therefore, no door closer can claim compliance on its own. Single spring door closers cannot achieve this due to inherent weaknesses in operating efficiencies.



Safety

Door closers play a vital role in the safety and comfort of a building. If a door closer fails, or is damaged, it can prevent the entire fire door from working. The consequences can be, at best, inconvenient, and at worst, fatal; a fire door that does not close properly against its seals will not perform its primary functions of holding fire and smoke at bay.

The fact that Powermatic is totally concealed when the door is closed makes it much less likely to be vandalised or tampered with, thereby assuring continuous service. In addition, Powermatic's key mechanisms are concealed within the door itself, further enhancing its resistance to damage.



Aesthetics

The very obvious control boxes and arms of surface mounted door closers have a detrimental effect on the overall appearance of interiors and can create a functional, institutionalised environment, which can impact on the occupants' comfort and sense of homeliness.

Totally invisible when the door is closed, and unobtrusive when the door is opened, Powermatic makes a valuable contribution to the appearance and ambience of homes, hotel rooms, care homes and psychiatric care facilities.

Benefits



Anti-ligature

Powermatic's total concealment, coupled with the fact that it can be mounted at a low position, makes the door closer suitable for use in anti-ligature solutions.

Essential in secure accommodation, psychiatric care or homes for vulnerable tenants, this attribute might also be desirable in less specialised situations where a risk has been identified, such as educational establishments and student accommodation.



Reliability

Few door closers can compete with the reliability that Powermatic delivers.

Tested to 500,000 opening and closing cycles, manufactured under quality systems accredited to BS EN ISO 9001 and totally maintenance-free, Powermatic's reliability is underpinned by a 10-year guarantee.

Reduced risk of damage through vandalism or tampering adds to Powermatic's reliability credentials and means fewer maintenance call-outs.



Assurance

Samuel Heath has a long heritage of innovative British design, engineering know-how and manufacturing excellence. The company was founded in 1820 and to this day delivers the performance to meet today's building standards and the reliability to assure faultless service for years following installation.



Ease

Powermatic benefits from one of the most comprehensive technical, specification and sales support services available.

Our team of experts provides everything from pre-sales advice on Powermatic's application and specification through to on-site visits to assure the performance and reliability of Powermatic.

Powermatic is straightforward to install in new and retrofit situations. Full installation instructions accompany the product and our website provides further assistance, including an installation video.

It is also the only jamb-mounted door closer to offer full adjustability without being removed from the door, further simplifying the installation process.

Applications

Social Housing

Used by local authorities and housing associations throughout the country, Powermatic is perfect for flats, apartments and HMOs:-

- Reduced risk of damage from tampering
- Provides a solution where a face-fixed closer restricts the door opening angle
- Reduced maintenance
- More homely environment



Hospitality

The preferred choice for architects, designers and specifiers, Powermatic has been used on prestigious hotel projects throughout the world including Intercontinental Hotels, Peninsula Hotels, Shangri-La Hotels, Hilton Hotels, Jumeriah Carlton and many others:-

- Enhanced aesthetics
- Improved ambience
- Accommodates 90° reveals
- Easily adjusted



Health & anti-ligature

Powermatic is the perfect choice for a wide variety of situations in health and psychiatric care facilities.

- Suitable for anti-ligature applications
- Enhanced hygiene and cleaning
- Less institutionalised interiors
- Improved well-being



Care

Powermatic is the ideal door closer for residential care facilities, delivering reliable performance and highly desirable benefits for residents:-

- Enhanced aesthetics
- Less institutionalised interiors
- Adjustable closing speed
- Helps meet accessibility requirements



Commercial

Performance, reliability and return on investment are capably covered by Powermatic's use in commercial situations:-

- Perfect for raised floor situations
- Enhanced aesthetics
- Professional environment
- Less industrial interiors



Education

Powermatic ticks all the boxes when it comes to educational establishments and student accommodation:-

- Reduced risk of damage through vandalism or tampering
- Less opportunity for self-harm
- Enhanced reliability
- Reduced maintenance



Heritage & refurbishment

Powermatic allows modern fire safety and convenience to be provided whilst retaining important historical features and the appearance of interiors:-

- No need to excavate floors
- Accommodates shaped door heads
- Enhanced aesthetics
- Meets accessibility requirements



SAMUEL HEATH

Made in England

When you choose Samuel Heath, you are investing in products that have been designed and manufactured to the highest standards, products that will deliver the ultimate in performance, quality and durability.

All of this is made possible by a commitment to excellence at every level of the product's manufacturing cycle, from initial research and conceptualisation to production and final quality control inspection.

Each Samuel Heath product is the result of extensive market research and development to ensure it meets the needs of today's discerning consumers and professionals. And every product benefits from the ethos of British innovation, engineering and craftsmanship that has flourished at Samuel Heath for nearly two centuries. Finally, this care and heritage is married with the latest manufacturing technology to assure the quality and accuracy that make every product worthy of carrying the Samuel Heath name.



engineering and exacting quality control to bring you an item to treasure, enjoy and trust.

So, whether you choose taps and showers from one of our collections of exquisite bathroom fittings, door handles from our suites of beautiful architectural hardware or one of our renowned concealed door closers, you can be confident that your Samuel Heath product has benefited from careful research, innovative design, meticulous

Leopold Street
Birmingham
England
B12 0UJ
T: +44 (0)121 766 4200
info@samuel-heath.com

London Showroom
1st Floor, North Dome
Design Centre Chelsea Harbour
London
SW10 0XE
T: +44 (0)20 7352 0249
showroom@samuel-heath.com